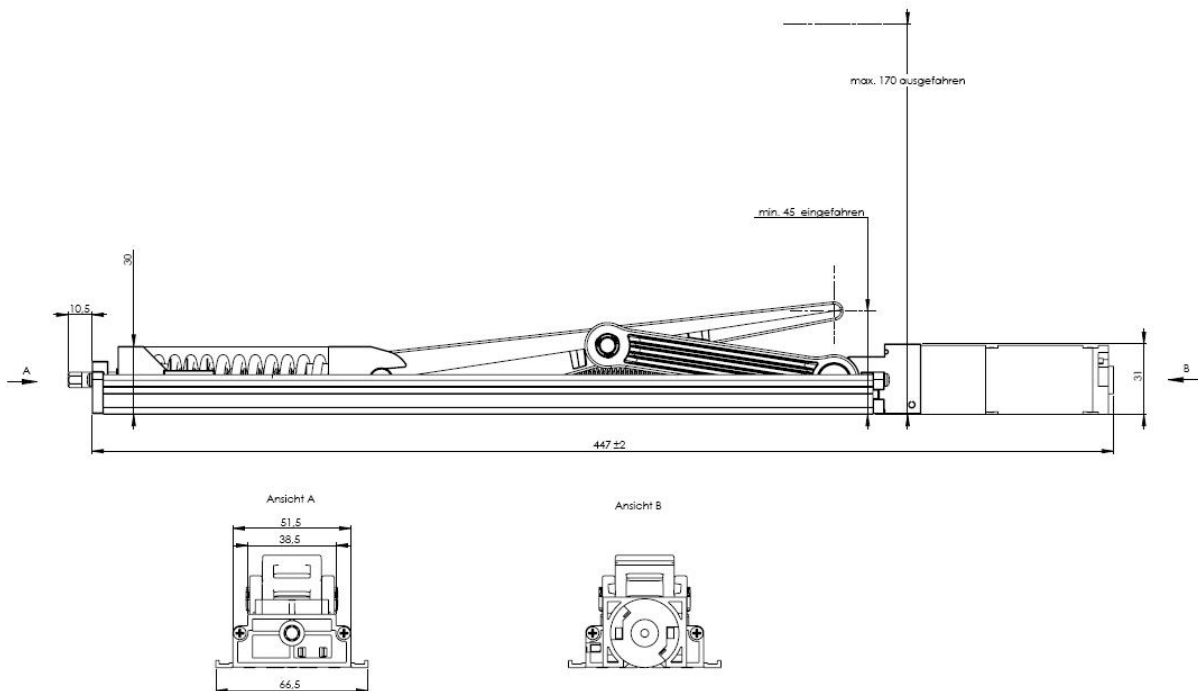
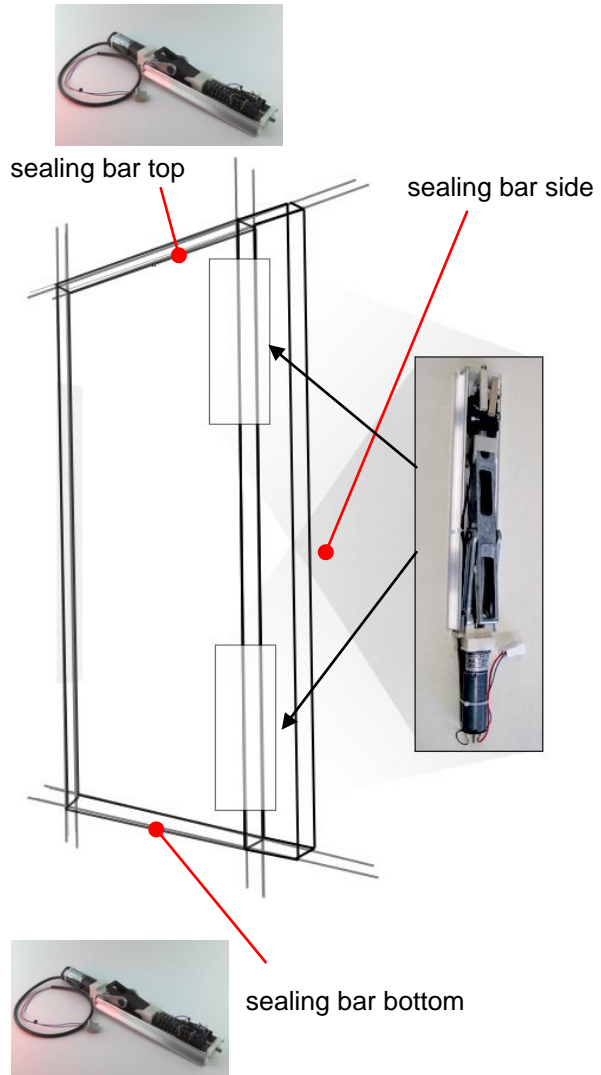


Lifting module for telescope-element

Order information
Telescope-element
Description
Lifting module 120
Electrical specification
Current: 2 A Voltage: 40 VDC
Mechanical specification
Travel: bis 120 mm Compacting pressure: up to 400 N Travel time: max. 10 s.
Accessories
Manual control Power supply Control Wire harness Electronic contacts Adapter for sealing bar



Lifting module for telescope-element



Lifting module for telescope-element

