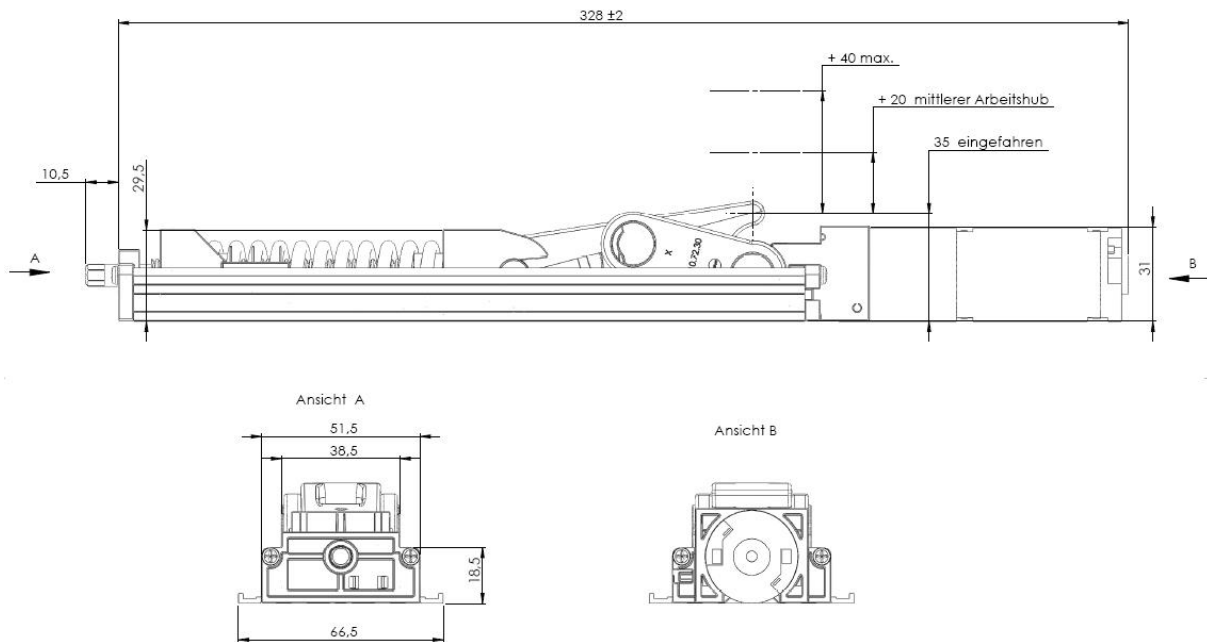
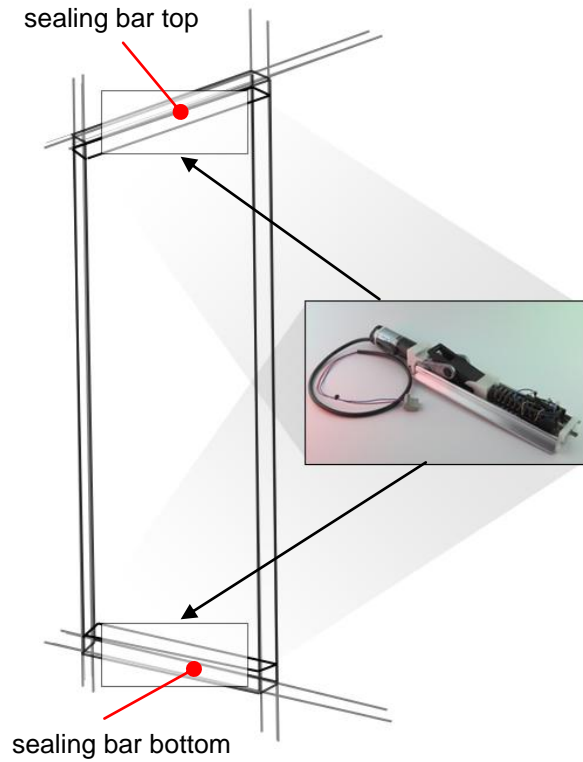
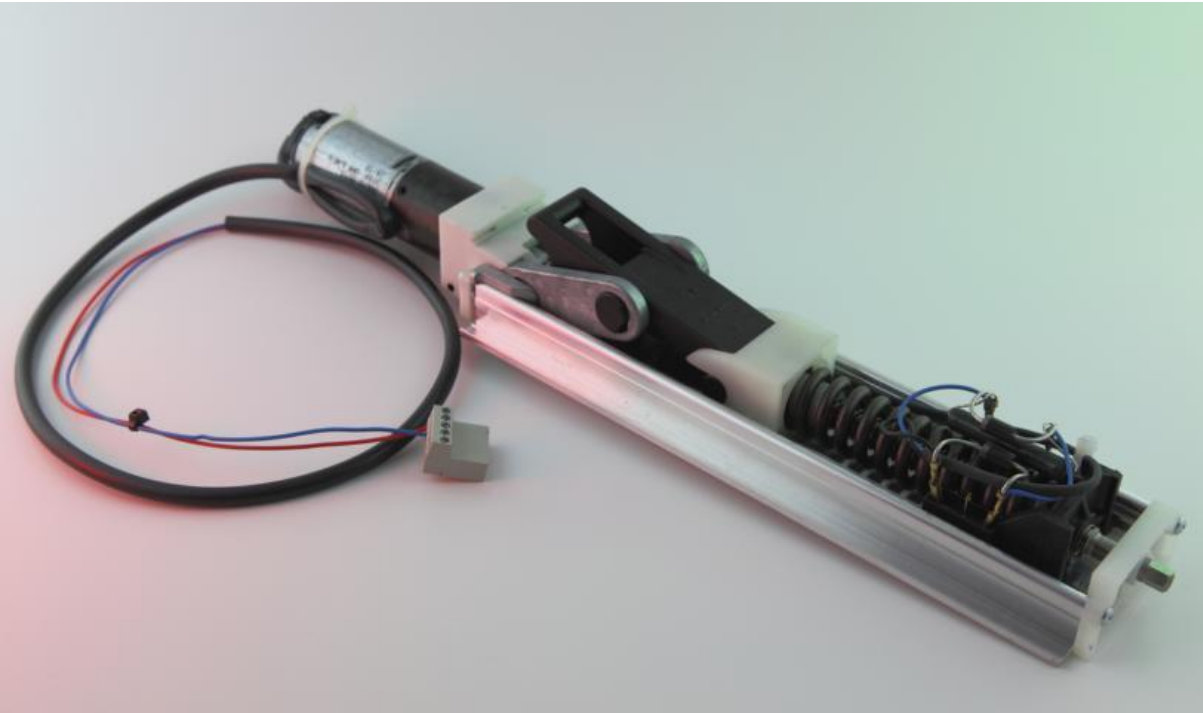
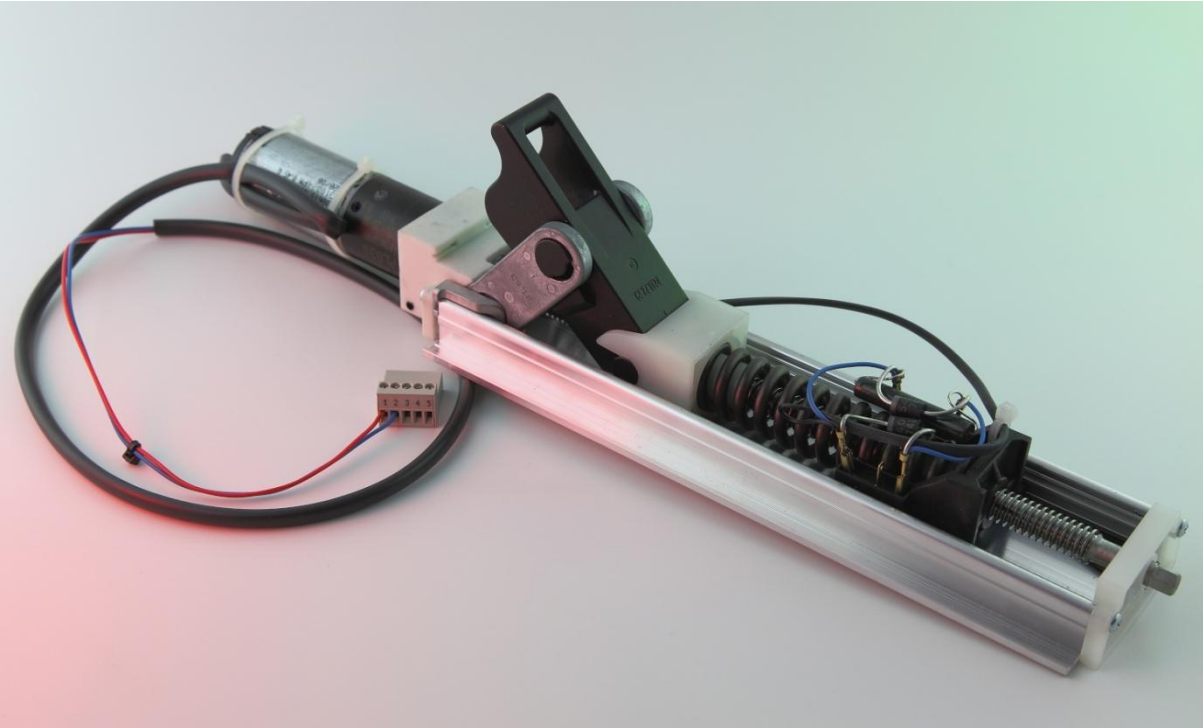


Lifting module for full-/glas-element

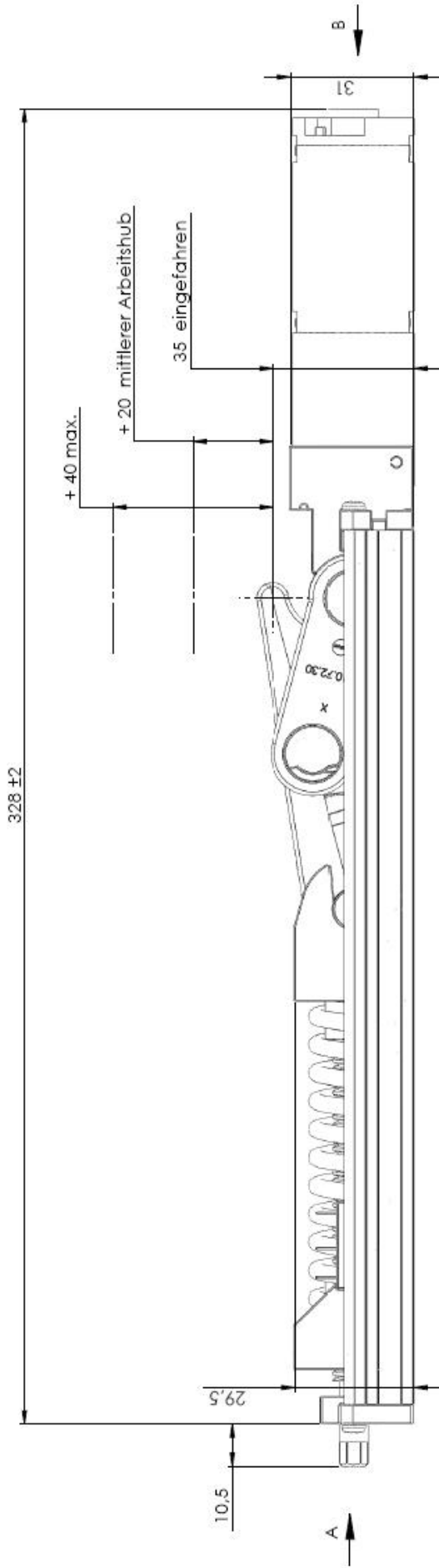
Order information
Full-/glas-element
Description
Lifting module 40
Electrical specification
Current: 2 A Voltage: 40 VDC
Mechanical specification
Travel: up to 40 mm Compacting pressure: up to 400 N Travel time: max. 10 s.
Accessories
Manual control Power supply Control Wire harness Electronic contacts Adapter for sealing bar



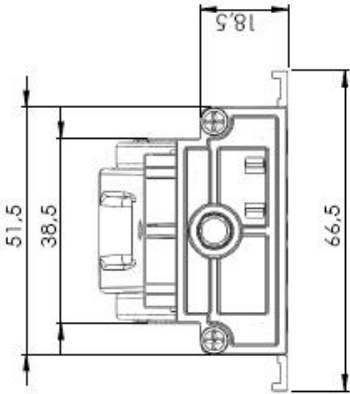
Lifting module for full-/glas-element



Lifting module for full-/glas-element



Ansicht A



Ansicht B

